

## auto electrical parts

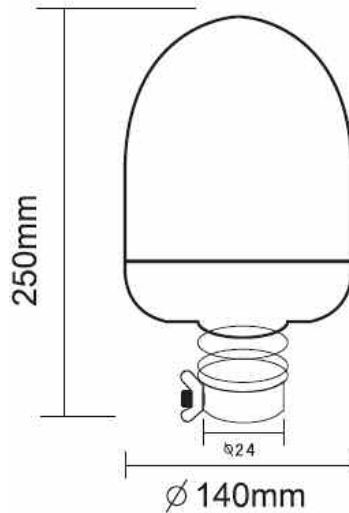
### Technical Information Sheet

#### Part No. 0-444-39

Single flash 12/24 volt Halogen beacon H1 55W / H1 70W with amber lens and flexible DIN base. 160 single flashes per minute. EMC, ECE R65, ECE R10 and CE approved. Protected to IP56.



#### Technical Drawing (not to scale)



#### Specification

Type	Flashing Halogen beacon
Voltage rating	12/24 volt dc
Power	H1 55W / H1 70W
Current	4.5A @ 12 volt dc, 2.7A @ 24 volt dc
Flash rate	160 single flashes per minute
Operating temperature	-30C to + 50C
Lens material	Polycarbonate
Dimensions	See above
Approvals	EMC, ECE R65, ECE R10
Protection	IP56

The information contained in this document is correct to the best of our knowledge at the time of printing. However, specifications may change at any time without notice.